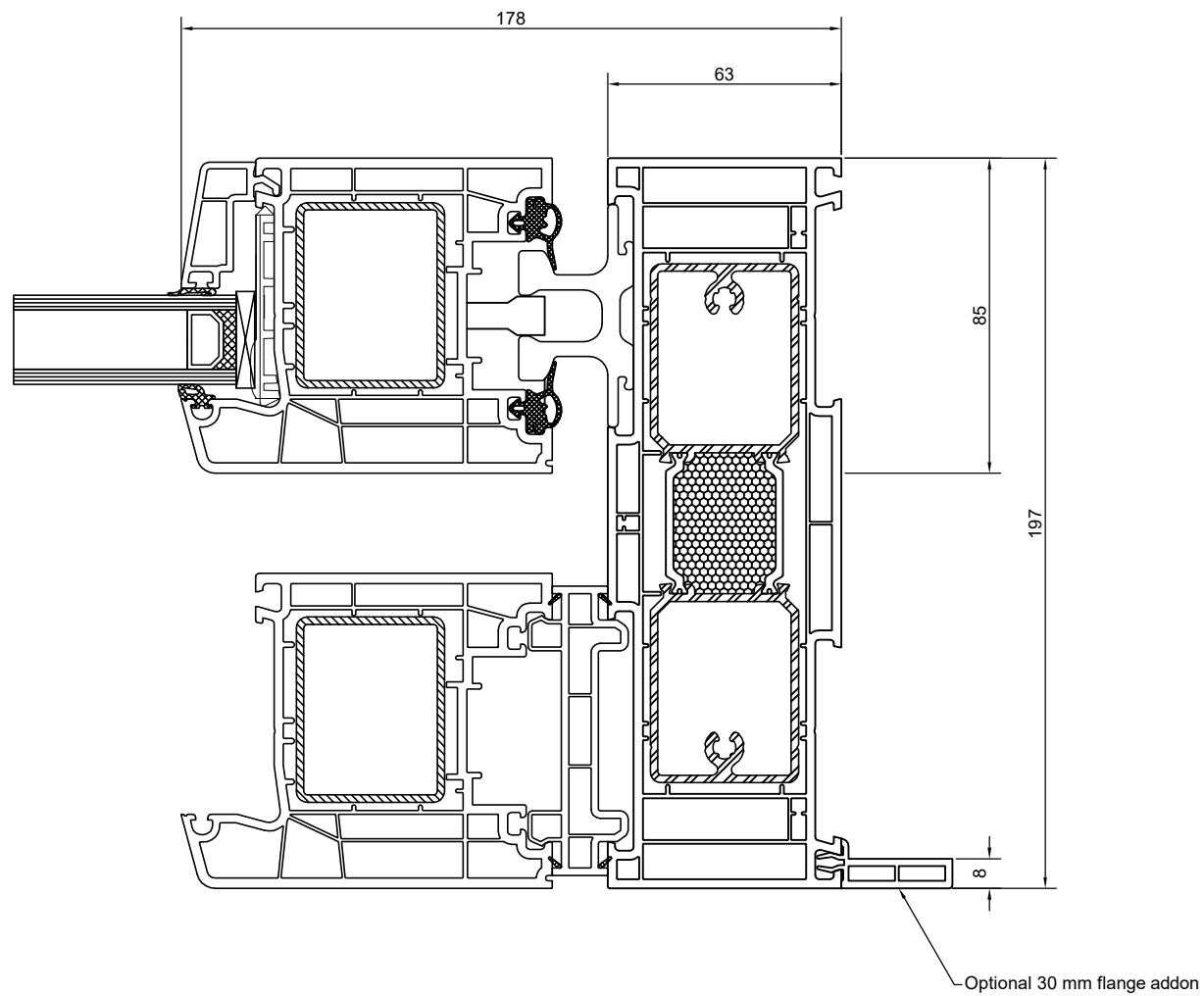
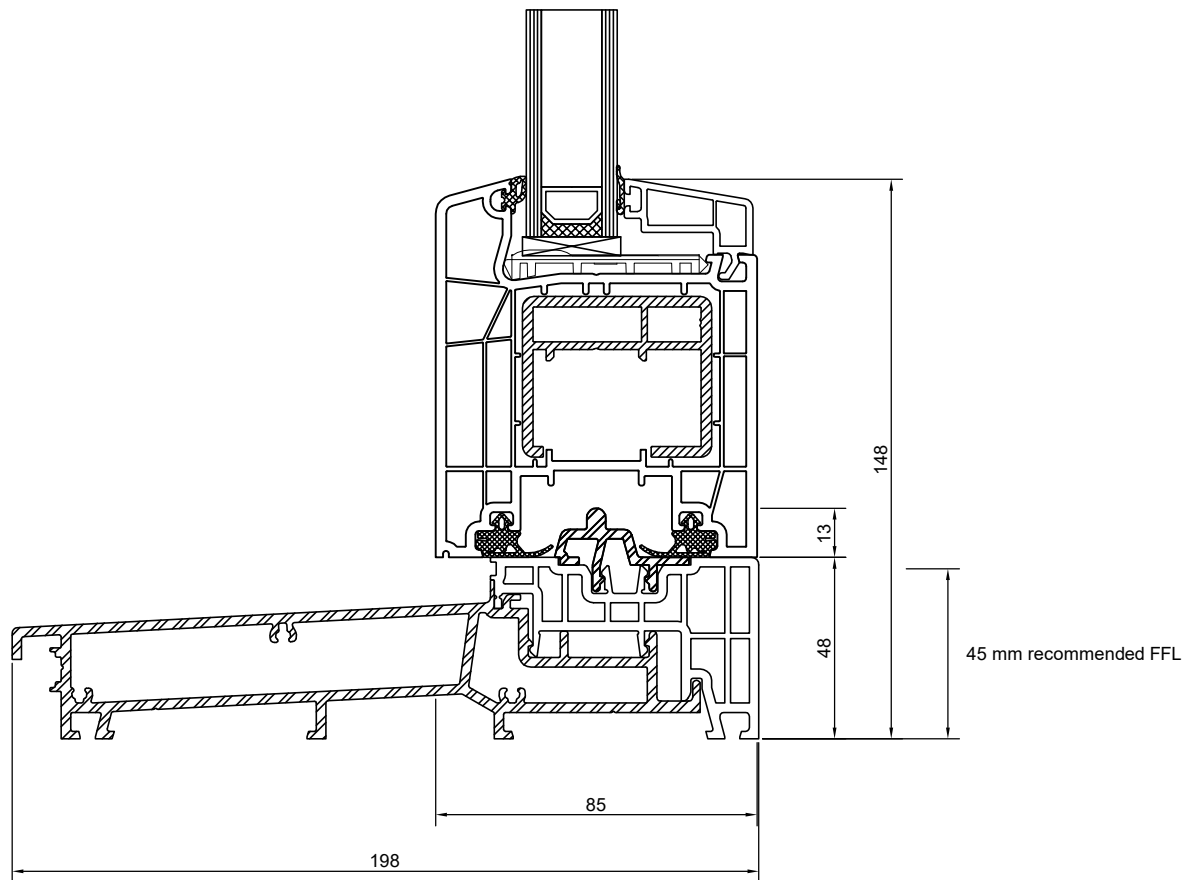


Lift & Slide Head

System: Aluplast Ideal 4000
 Cladding: X
 Version: 1.00, JAN19
 Scale: 1 : 2



Lift & Slide Jamb



Lift & Slide Sill