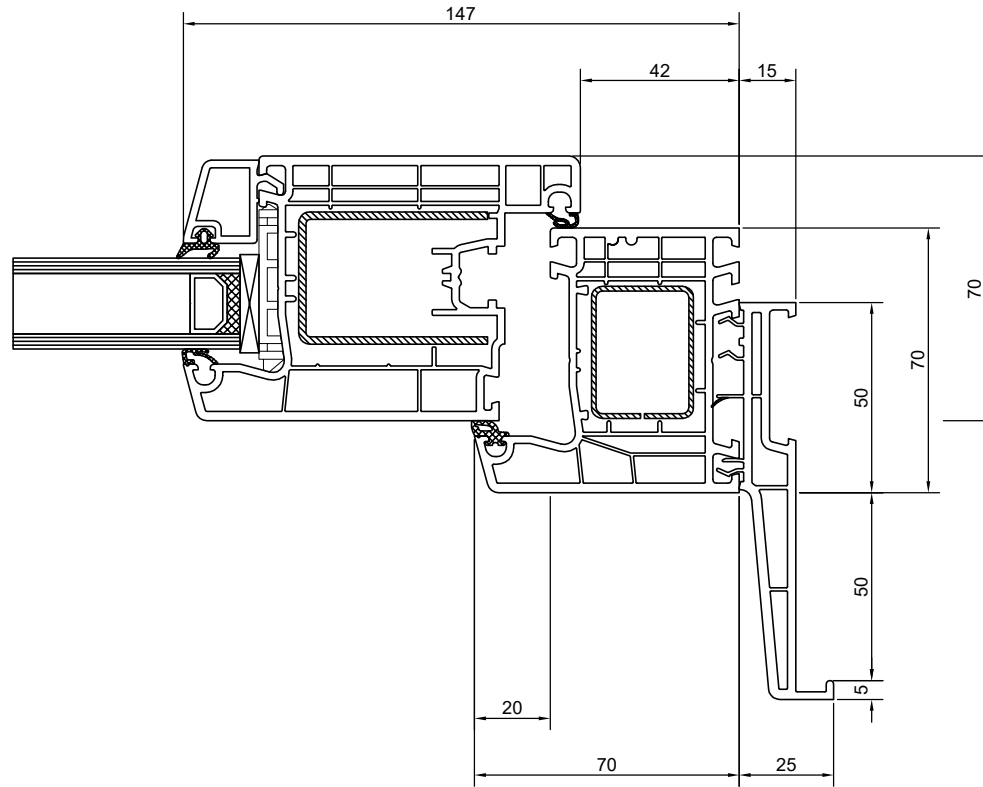


## Inwards Opening Bifold Head - Direct Fix w/ 105 mm Sill

System: Aluplast Ideal 4000  
 Cladding: X  
 Version: 1.00, FEB19  
 Scale: 1 : 2

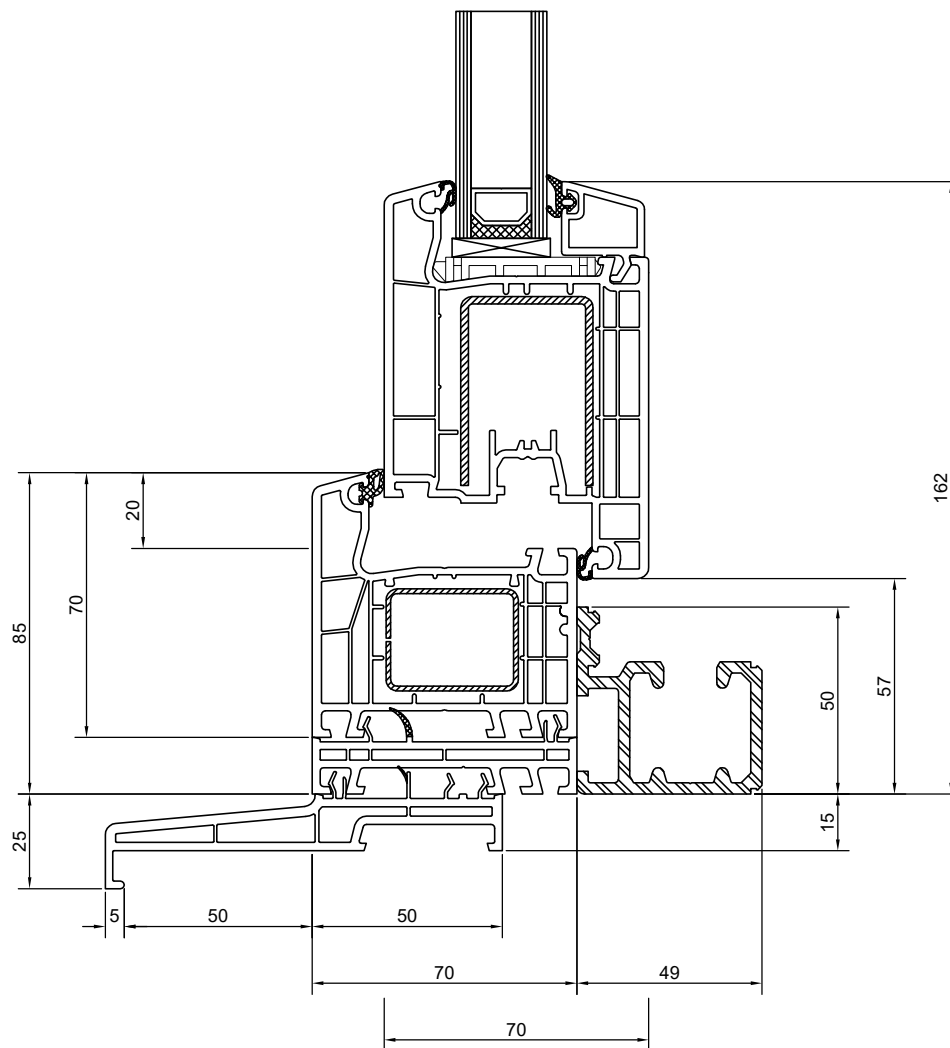


DISCLAIMER: All details are for indicative purposes only. Installation methods should comply with manufacturers recommendations and relevant NZ Building Code regulations & Standards.  
 CONFIDENTIALITY: No part of this publication may be reproduced or transmitted other than the intended use by NK Window Solutions Ltd unless expressly agreed by the author.



## Inwards Opening Bifold Jamb - Direct Fix w/ 105 mm Sill

System: Aluplast Ideal 4000  
 Cladding: X  
 Version: 1.00, FEB19  
 Scale: 1 : 2

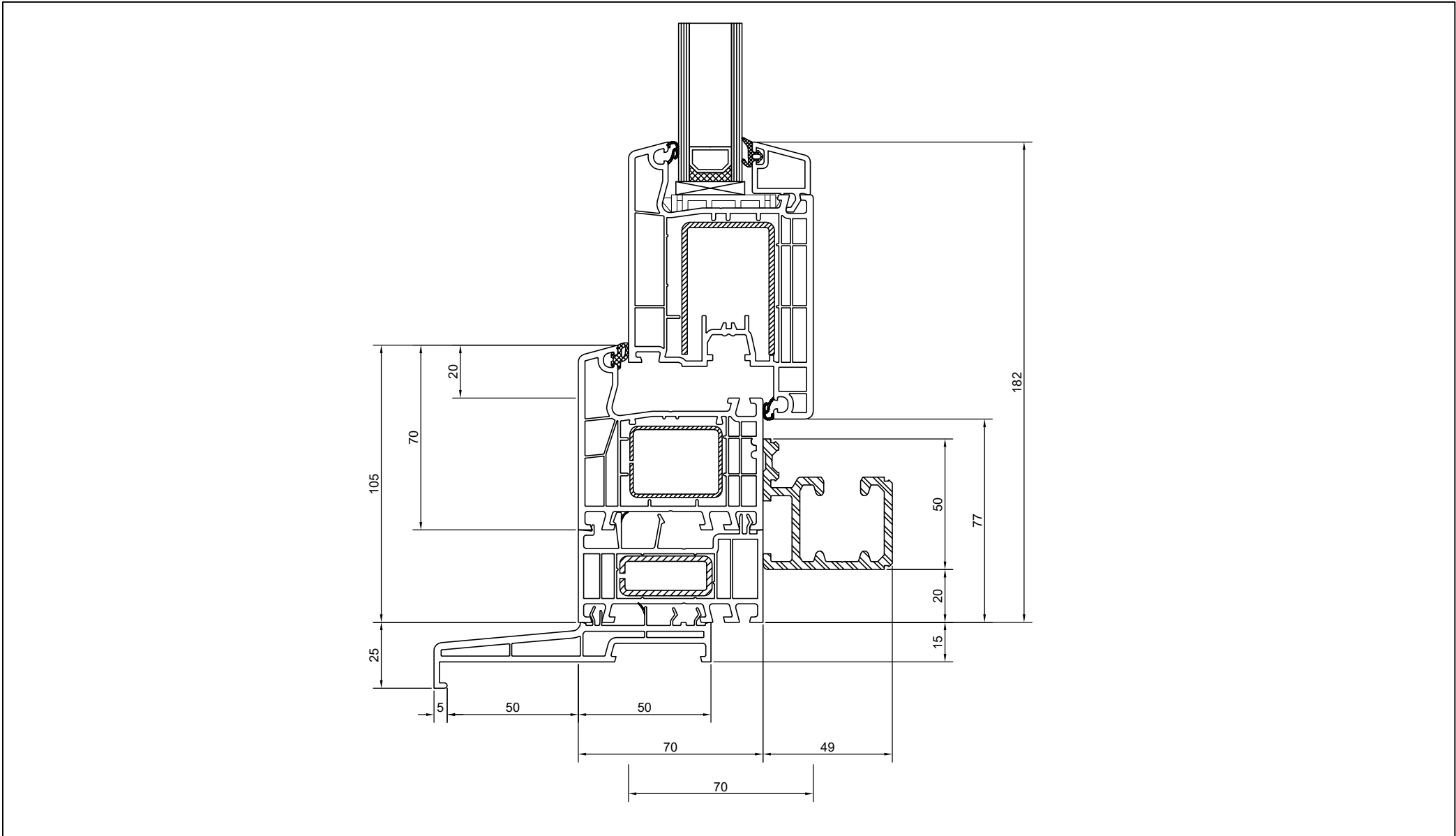


NK WINDOWS  
uPVC Systems

## Inwards Opening Bifold Sill w/ 15 mm Frame Extension - Direct Fix w/ 105 mm Sill

System: Aluplast Ideal 4000  
Cladding: X  
Version: 1.00, FEB19  
Scale: 1 : 2

DISCLAIMER: All details are for indicative purposes only. Installation methods should comply with manufacturers recommendations and relevant NZ Building Code regulations & Standards.  
CONFIDENTIALITY: No part of this publication may be reproduced or transmitted other than the intended use by NK Window Solutions Ltd unless expressly agreed by the author.



## Inwards Opening Bifold Sill w/ 35 mm Frame Extension - Direct Fix w/ 105 mm Sill

System: Aluplast Ideal 4000  
 Cladding: X  
 Version: 1.00, FEB19  
 Scale: 1 : 2