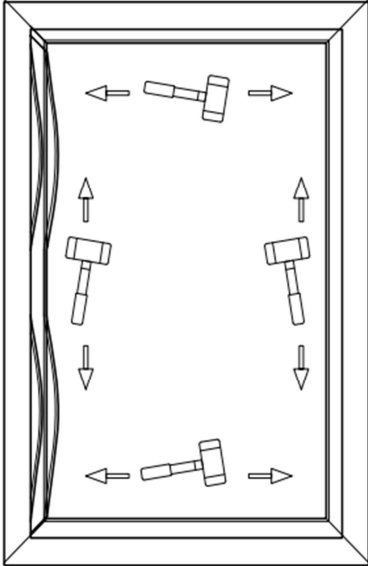
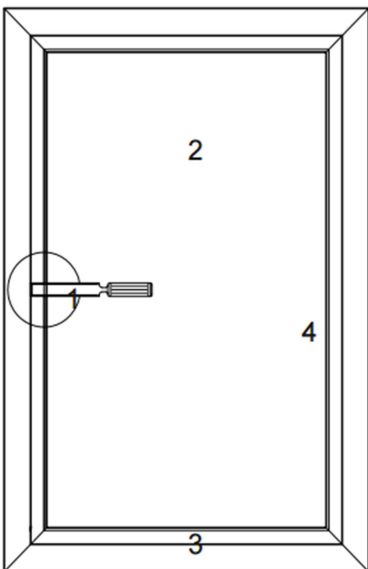


## Fitting the glazing beads



1. When glazing, insert the locking foot on the glazing beads into the glazing bead groove and drive in with a rubber hammer.
2. Make sure that the short length glazing beads are engaged first.
3. Bend the longer glazing beads and insert them in the mitres on both sides of the glazing bead groove. Engage them with a rubber hammer checking both mitres are tight before fully engaging the bead.

## Removing the glazing beads



1. Do not remove the black rubber seal.
2. Windows are internally glazed i.e. the glazing unit is installed and removed from inside the house.
3. One of the longer length beads should be removed first, followed by both shorter beads. The remaining longer length bead is to be removed last.

**Continued over page**

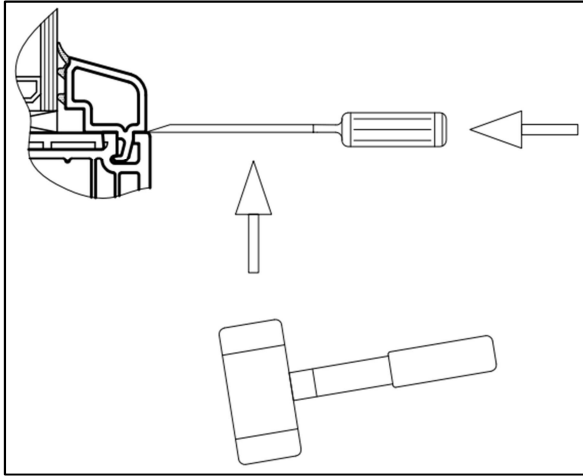




**NK WINDOWS**  
uPVC Systems

## NK Windows – Glazing Instructions

Version: 01 Date: July 2016



4. Carefully place a chisel as shown between the profile and glazing bead and knock out the latter with a rubber hammer.

