



Glazing instructions

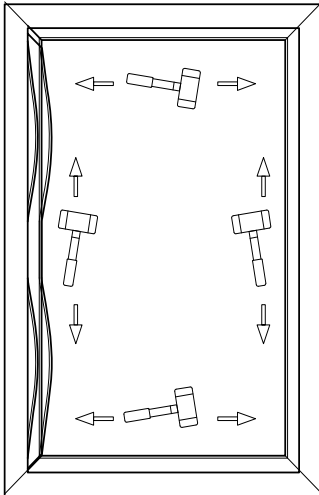


Fig1

Fitting the glazing beads

When glazing insert the locking foot on the glazing beads into the glazing bead groove and drive in with a rubber hammer.

Make sure that first the short glazing beads are engaged. Bend the longer glazing beads, insert these in the mitres on both sides of the glazing bead groove, and engage them beginning at the centre (see Fig1).

Removing the glazing beads

Place a chisel horizontally between the glazing groove and glazing bead profile and knock out the latter with a (rubber) hammer (see Figs 2 and 3).

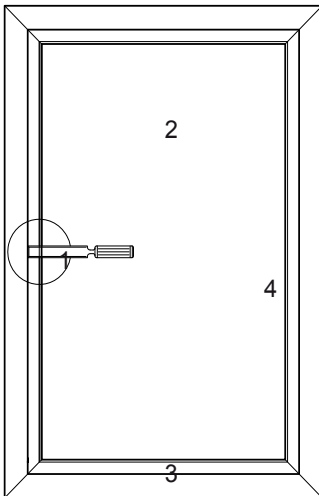
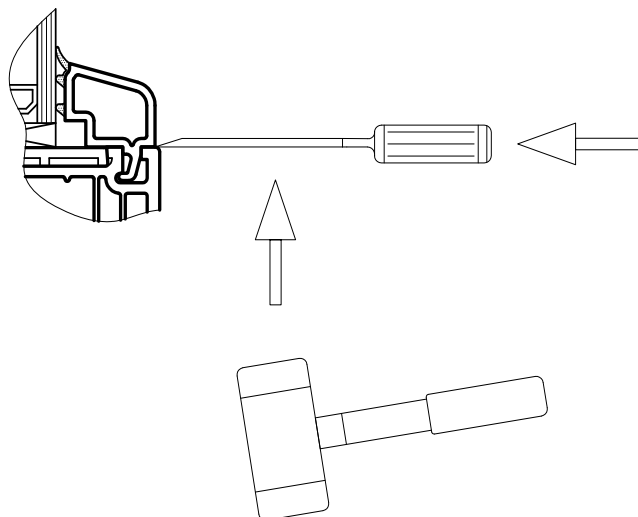


Fig3



Note: do not remove the black rubber seal